

PANZERI

Zero Square

24V DC

M03230.050.0410

titanium



Data sheet

| | |
|--------------------------|---------------------|
| CODE | M03230.050.0410 |
| SYSTEM POWER CONSUMPTION | 25W |
| EFFICACY | 81.56lm/W |
| LIGHT SOURCE | LED |
| LIGHT SOURCE LIFETIME | L70 (B50) 60.000h |
| COLOUR TEMPERATURE | 3000K Ra>90 |
| LIGHT DISTRIBUTION | diffused |
| POWER SUPPLY | 24V DC |
| DRIVER | remote not included |
| NOMINAL LUMINOUS FLUX | 2835lm |
| LUMEN OUTPUT | 2039lm |
| EFFICIENCY | 71.9% |
| WEIGHT | 0.92 Kg |
| PROTECTION DEGREE | IP20 |
| COLOUR TOLLERANCES | SDCM 3 |
| PACKING DIMENSIONS (CM) | 58,0 x 58,0 x 10,0 |



Single or multiple suspension lighting fixture for interiors, with direct and indirect light emission.

Bended extruded aluminium structure in white, black, bronze, mat brass or titanium polyacrylic paint.

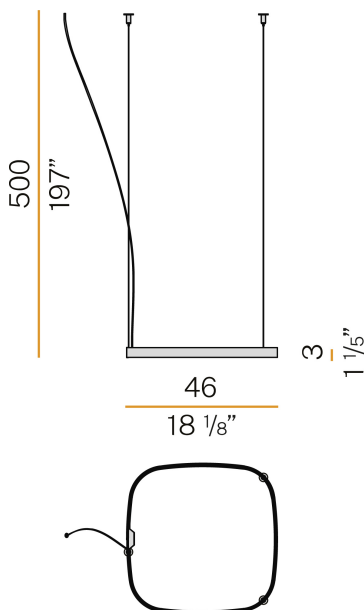
Extruded polycarbonate diffuser with opaline finish.

Suspension kit with griplocks and 5m (196,9") long steel cables.

5m (196,9") long power cable in transparent PVC.

Provided without power canopy.

Technical drawing



Polar diagram

